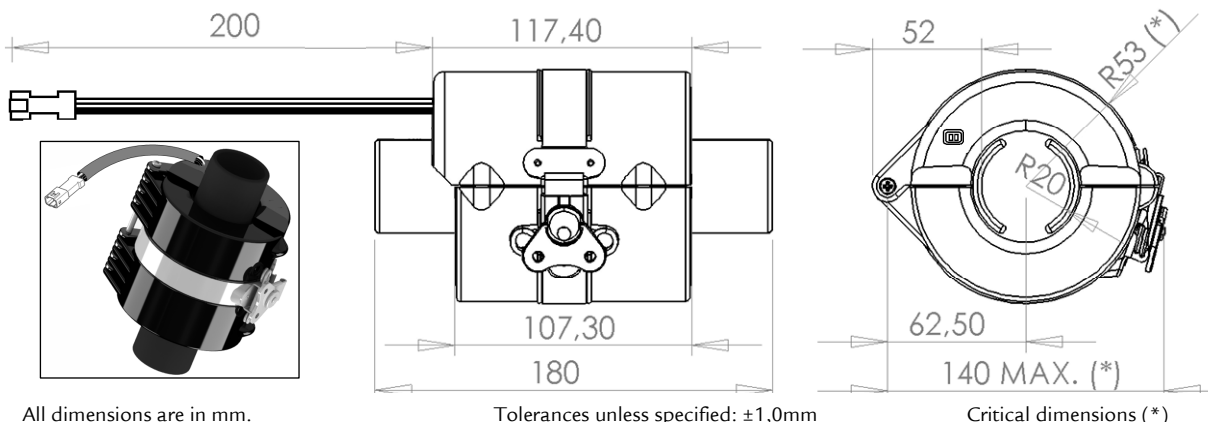


C/Severo Ochoa 33 - Parque Tecnológico de Andalucía. 29590 Campanillas. Málaga (Spain) **Phone** +34 951 231 320 **Fax** +34 951 231 321
E-mail: info@grupopremo.com **Web** <http://www.grupopremo.com>

1. Features

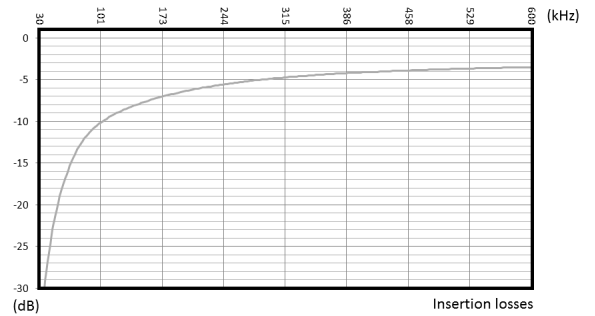
- High current solution made with high permeability high performance materials avoid saturation problems at high currents
- Low insertion losses 12dB±2dB (@100-250kHz) ; 5dB±2dB (@250-600kHz)
- More electrical safety: High insulation > 24 kV
- Compact equipment: : IP67 waterproof cable assembly integrated in the coupler (other connections available under request)
- Water resistant (IP67)

2. Dimensions



3. Electrical characteristics

Nominal current	300 A	
Rated Voltage	Rated voltage up to 24kV	
Rated AC withstand voltage		
Rated lightning withstand voltage (1.2/50µs)		
Partial discharge level at 1.2 U _N		
Insulation resistance		
Transmission frequency range and attenuation	-12dB±2dB @100 to 250 kHz -5dB±2dB @250 to 600 kHz	
Nominal impedance	Coupling side	20 to 50 Ω
	Equipment side	50 Ω
Average power in permanence	> +40 dBmW	
Harmonic distortion and intermodulation	< -60 dB	
Dielectric strength	>24kV	
Working temperature	-20°C to 60°C	
Storage temperature	-40°C to 85°C	
Weight	<2.5 kg	
Climatic category	25/100/21 according to IEC 60068-1	
Safety isolation	According to IEC 60950	
Normative	IEC 61869	



Attenuation (dB) in working frequency range

	PLC band	Frequency	
EUROPE	CENELEC B	95-125kHz	✓
	CENELEC C	125-140kHz	✓
	CENELEC D	140-148.5kHz	✓
USA	FCC	10kHz-490kHz	✓

Edition	Revision date
9	28/01/2015

MICU 300A OH/LF