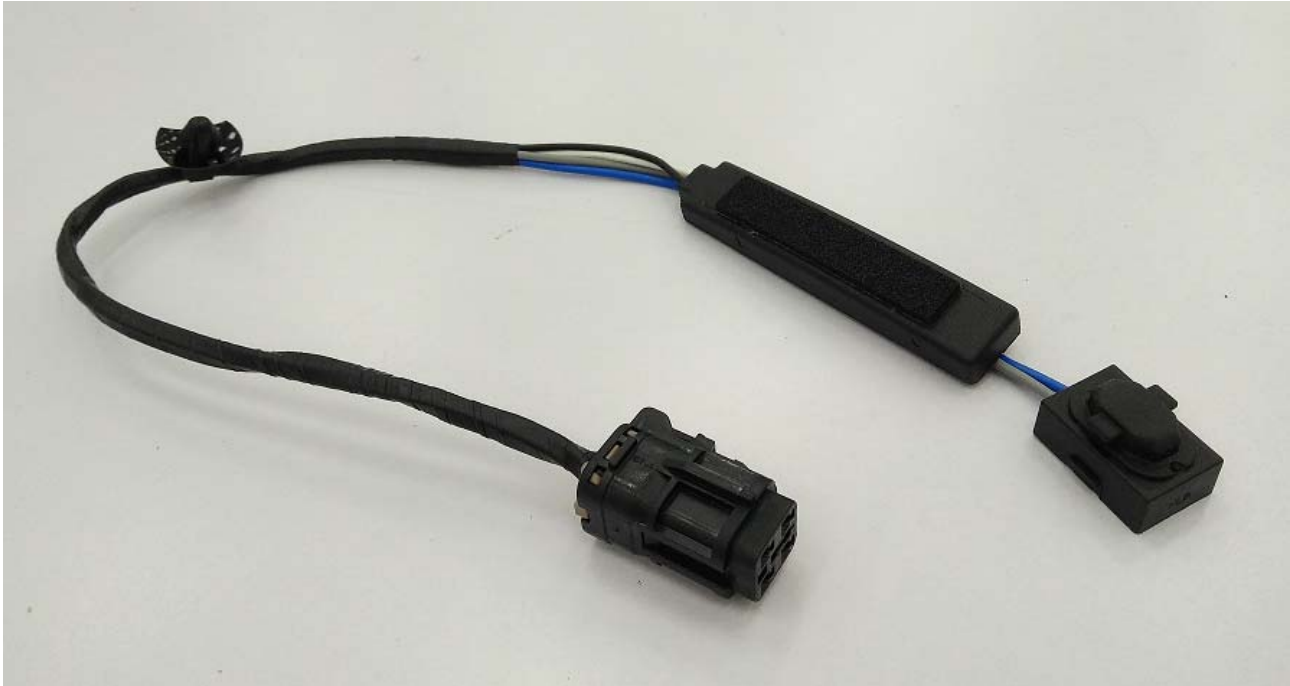


KGEA-DHS

Door Handle antenna LF for smart entry system (+SWITCH)

KGEA-DHS (+SWITCH) . (Adjunto foto por separado para limpiar imagen, "dejarlo bonito")



PREMO is developing customized door handle antennas using a type of technology over-molding low pressure depending on the mechanical requirements and waterproof IP degree required by the customer.

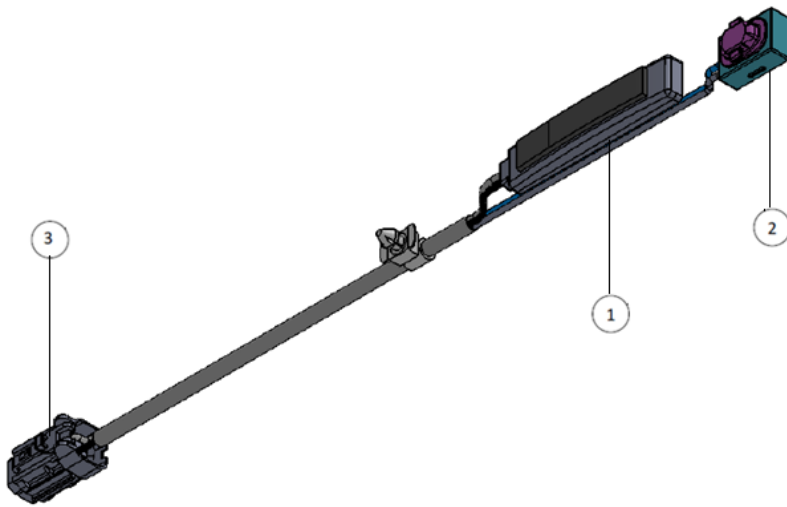
For Door Handle Antennas, we also have the ability to integrate in a unique connector (6ways), the Antenna LF + Switch + LED as a single whole.

Characteristics:

- Overmolded Antenna with Low Pressure Technology (LPM)
- LPM is a well know technology PREMP
- Very fast to produce (No Curing needed)
- Low Profile. Height max= 7,2 mm.
- IP56 grade Waterproof.
- Connector located outside assembly Antenna LF+ SWITCH
- High stability in temperature (-40°C up to +85°C).
- Resonant frequency adjusting below +/- 2kHz.
- Custom L-C value @ F-Res
- This antenna is designed based on AECQ-200

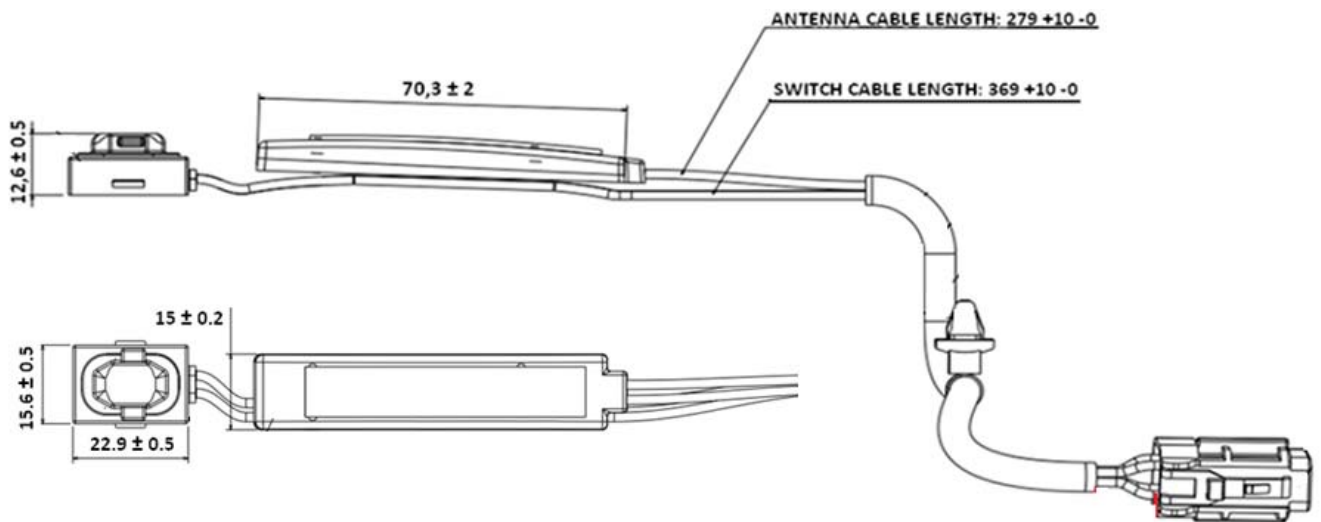
Components of the part:

KGEA-DHS (+SWITCH)

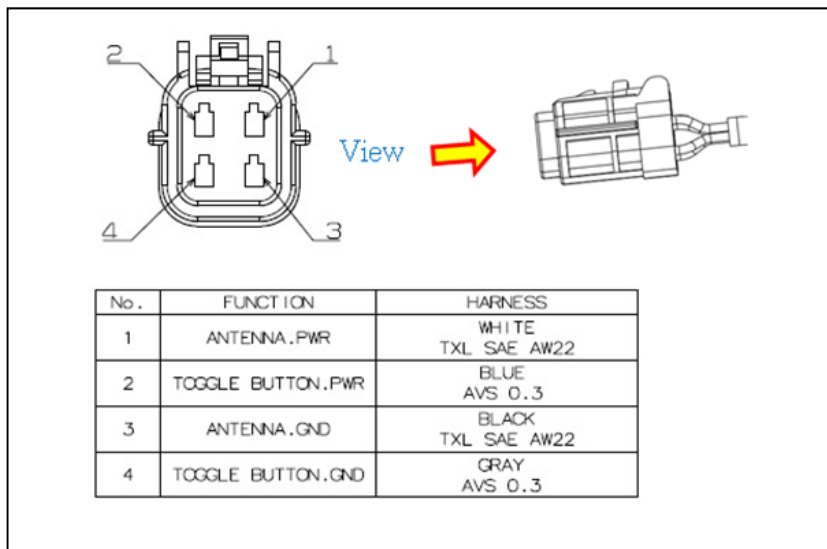
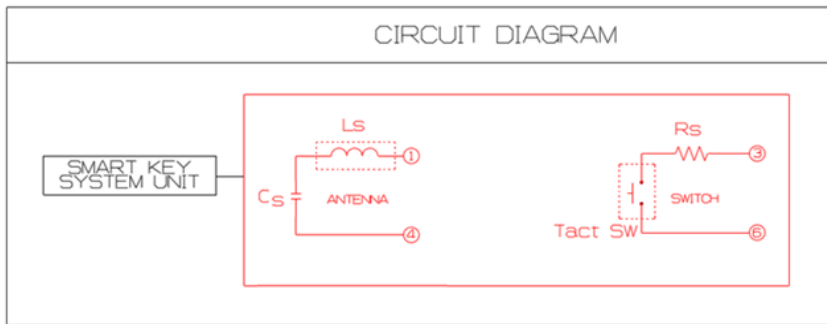


No.	PART NAME
1	LF Antenna Over-molded by LPM
2	SWITCH
3	CONNECTOR KET MG610331-5

Mechanical Dimensions:

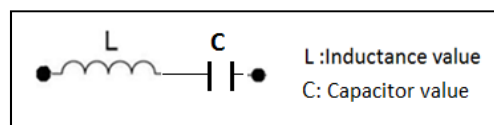
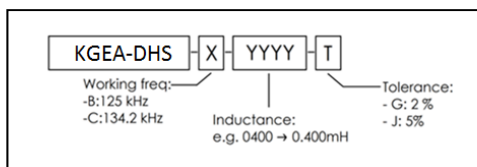


Schematic Diagram



Nomenclature description and Schematic Diagram

- **L+C in series:**



Electrical specifications

Operating Frequency @114,5Khz @25°C @1Vac. (L+C in series)

P/N	L(mH)	Cres (nF)	Q (L+C)	Rac(Ω)	Arms
KGEA-DHS-C-0285J	0.285	6.8	>135	<2	1A

Antenna is measured in resonant mode.

Field Magnetic Strength

- **Procedure/Setup**
 - Antenna PREMO mounted on Reader and signal amplifier (I=2App, V=5Vpp).
 - Probe FMZB 1538143 (as receiver) used to measure the magnetic field (dBμV/m).
- **Result**
 - 105 dBμV/m ± 2dB@3 meters (I=2App; V=5Vpp) in maximum direction.