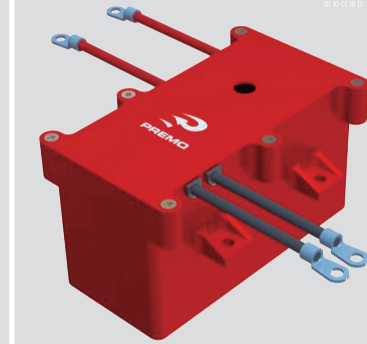


New

## BCBM-7kW-001

### 7.2 kW set Transformer and Choke

INDUCTIVE COMPONENTS / OBC TRANSFORMERS



#### APPLICATIONS

- › DC/DC Converters

#### 01 FEATURES

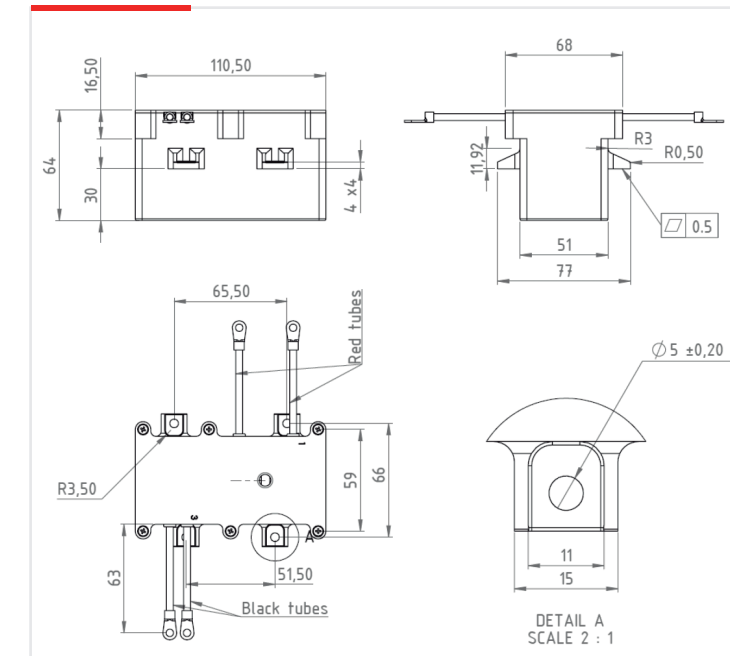
This new DAB Premo transformer plus input choke achieves great thermal performance thanks to the latest high thermal conductivity materials and aluminum housing providing great heat dissipation while keeping tight dimensions.

Designs can be fully customized to meet any customer requirement.

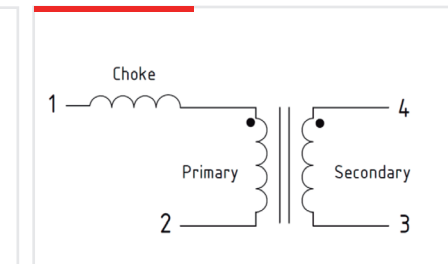
- › DC-DC Transformer
- › Fixed working frequency 100kHz
- › Total Output Power up to 7kW
- › 2 kV insulation between primary & secondary
- › Weight @ 1450g
- › Operating temperature - 30 to 110°C
- › Storage temperature - 40 to 125°C

#### 02 SPECIFICATIONS

##### DIMENSIONS (mm)



##### ELECTRICAL DIAGRAM



##### ELECTRICAL SPECIFICATIONS

TOPOLOGY	Dual active bridge, Isolated Boost
<b>INPUT</b>	
Primary	400 Vdc / 39 Arms
<b>OUTPUT</b>	
Secondary	240 Vdc to 408 Vdc /45 Arms
<b>SWITCHING FREQUENCY</b>	100 kHz
<b>DUTY CYCLE</b>	50%
<b>TOTAL OUTPUT POWER</b>	7 kW
<b>RECOMMENDED COOLANT TEMPERATURE</b>	45°C or less