

## TP0702UCAP

### SMD Transponder Coil with CAP

8.7x2.7x3mm MAX (2.38mH – 18.5mH)

SINGLE AXIS TRANSPONDERS INDUCTORS



### FEATURES

This TP0702UCAP Series of Surface Mountable ferrite wound inductor is a stronger solution in very small dimensions performing very good electrical properties a very good solution for RTPMS, Keyless Go and Keyless entry systems.

## 01 CHARACTERISTICS

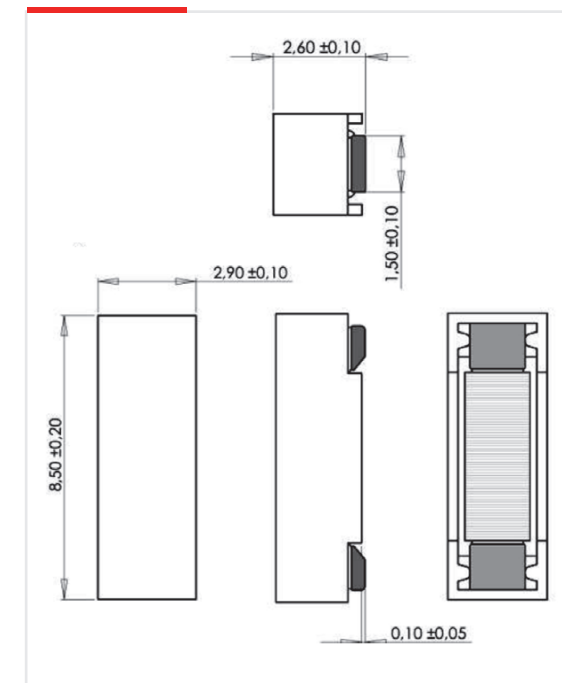
- › Size: 8.7x2.7x 3mm.
- › Very good mechanical performance.
- › High sensitivity in the smallest volume
- › Very stable electrical properties in full operational temperature range (-40 °C --> +125 °C).
- › Good performance in thermal shock.
- › Big metallised pad area Pb free.
- › Good cost/performance ratio.

Due to its small dimensions, it's a suitable design for other applications working at lower frequencies.

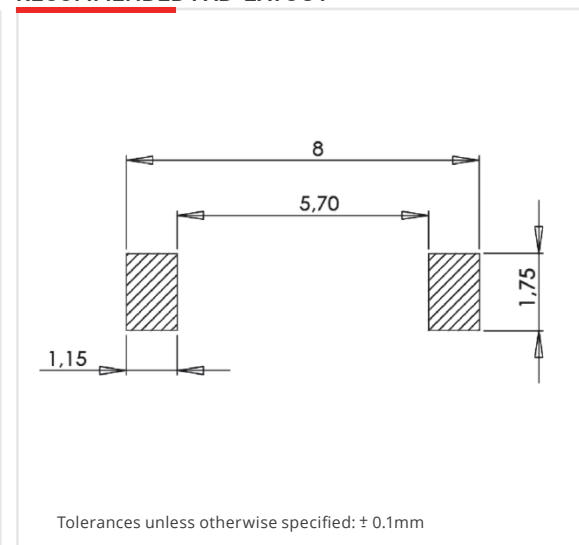
- › Terminals: Ag-Ni-Sn100.
- › Wire: H, 125°C, Solderable.
- › Max. Operating Temperature 125°C.

## 02 SPECIFICATIONS

### DIMENSIONS (mm)



### RECOMMENDED PAD-LAYOUT



### ELECTRICAL SPECIFICATIONS | 125kHz

P/N	L (mH)	Q min	SRF (Ω) Max	DCR (Ω) Max	Sensitivity (mVpp/Ap-p/m) min	Dimensions (mm) Max
TP0702UCAP-0238J	2.38 ± 5%	30	900	25.3	25	8.6 x 3.0 x 2.7
TP0702UCAP-0491J	4.91 ± 5%	35	700	38.5	38	8.6 x 3.0 x 2.7
TP0702UCAP-0720J	7.2 ± 5%	30	500	61.1	50	8.6 x 3.0 x 2.7
TP0702UCAP-0900J	9.0 ± 5%	30	450	84.7	55	8.6 x 3.0 x 2.7
TP0702UCAP-1850J	18.5 ± 5%	30	400	165	90	8.6 x 3.0 x 2.7

The specification chart is a reference guide for the most common required values at working frequencies of 125 kHz. Any other inductance value at LF or tighter tolerances can be provided. Please contact our sales department for any inquiry.