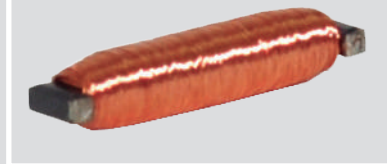


TC0902

SMD Telecoil

9x1.5x2mm (260mH - 340mH)

TELECOILS



FEATURES

This new design is coil with a very stable and high quality ferrite core and tiny size (9 x 1.5 x 2 mm) and high sensitivity in low frequency range (20-40kHz). Those pieces are winding with thin copper wire up to 12µm and its inductances range is 260-340 mH. Besides, it has good frequency and temperature behaviour and can be served with "custom" electrics characteristics according requirements of hearing aid devices manufacturers.

01 CHARACTERISTICS

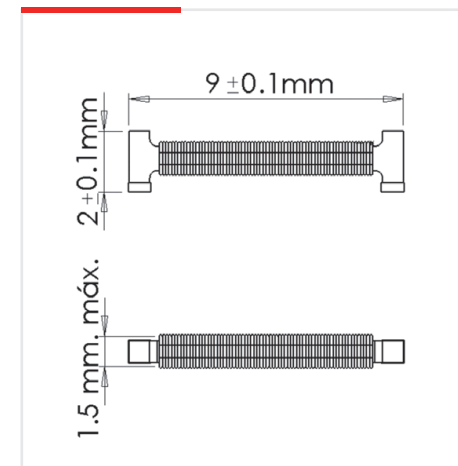
- › Small size
- › High sensitivity
- › SMD mounting

02 APPLICATIONS

- › Hearing aid devices

03 SPECIFICATIONS

DIMENSIONS (mm)



RECOMMENDED PAD-LAYOUT



ELECTRICAL SPECIFICATIONS

	L (mH) @ 1kHz	Tolerance	Rdc (KΩ)	SRF (kHz)	Sensitivity (mVpp/App/m) @1kHz
TC0902-26000J	260	±5%	1,2	> 90	> 1,8
TC0902-34000J	340	±5%	1,4	> 60	> 2,1

This chart is a reference guide for the most common required values at working frequency of 1kHz. Any other inductance value at LF or tighter tolerances can be provided. Please contact our sales department for any inquiry. Sensitivity measured with Helmholtz coils H=6.34 App/m @1 kHz. Contact us for measurement specification. Metallization: Ag(Base)/Ni(inter)/Sn(Finish)