

SEA

SMD Small Emitter Antenna**50.80x10.60x6.80mm (33uH - 470uH)**

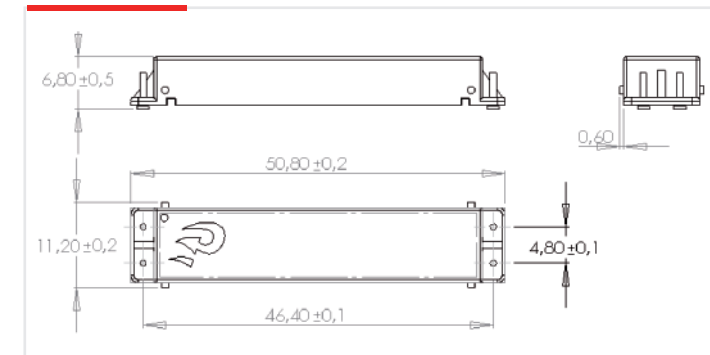
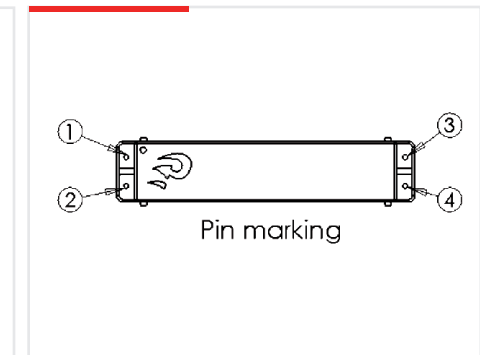
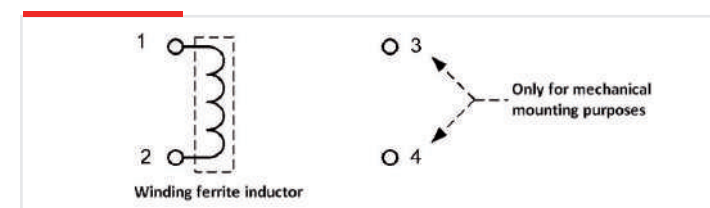
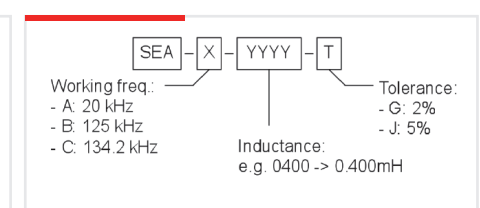
EMITTER ANTENNAS / SHORT RANGE

**FEATURES**

This part can be used as emitter antenna of a RF application in low frequency range and can be mounted like any other SMD component, directly to the PCB. Some use example: telemetric, telecontrol, atomic watch, PKE, etc. Size of this component compared to other existing emitter antennas is very small.

01 CHARACTERISTICS

- › Small size (50.8 x 10.6 x 6.8).
- › High stability in temperature (-40°C up to +85°C).
- › Wide working range (20kHz - 150KHz).
- › SMD mounting.
- › Custom inductance value under demand.

02 SPECIFICATIONS**DIMENSIONS (mm)****RECOMMENDED PAD-LAYOUT****ELECTRICAL DIAGRAM****NOMENCLATURE DESCRIPTION****ELECTRICAL SPECIFICATIONS**

	L (mH)	Tolerance	Cres (nF)	SRF (MHz)	Freq. (kHz)
SEA-A-0192J	0.192	5%	330	>3	20@
SEA-B-0345J	0.345	5%	4.7	>3	125@
SEA-B-0500J	0.500	5%	3.3	>3	125@
SEA-B-0734J	0.734	5%	2.2	>3	125@
SEA-C-0300J	0.300	5%	4.7	>3	134,2@

Add under the chart: This chart is a reference guide for the most common required values at working frequency of 20 kHz, 125 kHz or 134.2 kHz. Any other inductance value at LF or tighter tolerances can be provided. Please contact our sales department for any inquiry.

Sensitivity measured with Helmholtz coils H=8.36 App/m @125 kHz. Contact us for measurement specification