

New

KGEA-DHS

Door Handle antenna LF for smart entry system (+SWITCH)

EMITTER ANTENNAS / SHORT RANGE



FEATURES

PREMO is developing customized door handle antennas using a type of technology over-molding low pressure depending on the mechanical requirements and waterproof IP degree required by the customer.

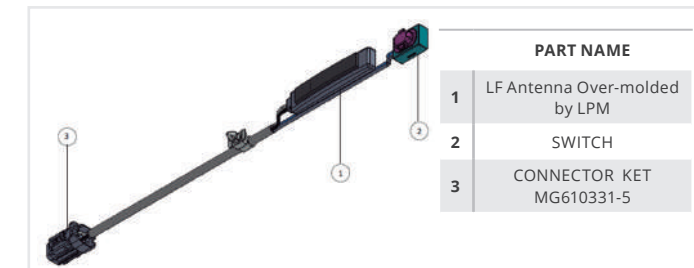
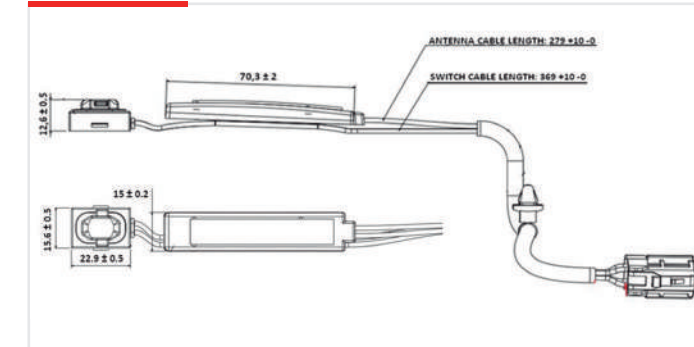
For Door Handle Antennas, we also have the ability to integrate in a unique connector (6ways), the Antenna LF + Switch + LED as a single whole.

01 CHARACTERISTICS

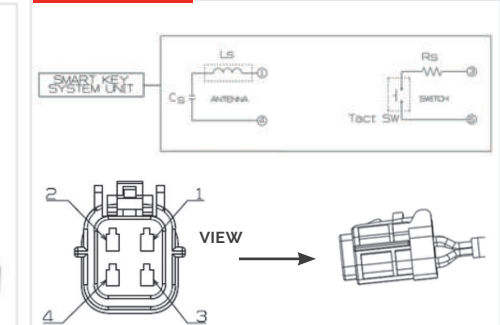
- › Overmolded Antenna with Low Pressure Technology (LPM)
- › LPM is a well know technology PREMP
- › Very fast to produce (No Curing needed)
- › Low Profile. Height max= 7,2 mm.
- › IP56 grade Waterproof.
- › Connector located outside assembly Antenna LF+ SWITCH
- › High stability in temperature (-40°C up to +85°C).
- › Resonant frequency adjusting below +/- 2kHz.
- › Custom L-C value @ F-Res
- › This antenna is designed based on AECQ-200

02 SPECIFICATIONS

DIMENSIONS (mm)



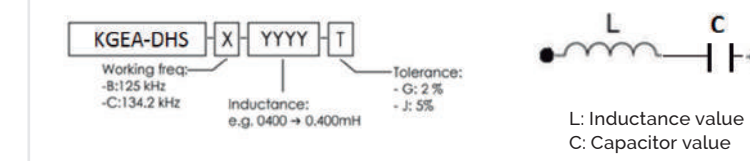
CIRCUIT DIAGRAM



PART NAME		
N°	FUNCTION	HARNESS
1	ANTENNA .PWR	WHITE TXL SAE AW22
2	TOGGLE BUTTON.PWR	BLUE AVS 0.3
3	ANTENNA .GND	BLACK TXL SAE AW22
4	TOGGLE BUTTON .GND	GRAY AVS 0.3

NOMENCLATURE DESCRIPTION AND SCHEMATIC DIAGRAM

L+C IN SERIES



FIELD MAGNETIC STRENGTH

PROCEDURE / SETUP

- › Antenna PREMO mounted on Reader and signal amplifier (I=2App, V=5Vpp).
- › Probe FMZB 1538143 (as receiver) used to measure the magnetic field (dBµV/m).

RESULT

- › 105 dBµV/m ± 2dB@3 meters (I=2App; V=5Vpp) in maximum direction.

ELECTRICAL SPECIFICATIONS

KGEA-DHS-C-0285J

L (mH)	0.285
Cres (nF)	6.8
Cres (nF)	>115
Q (L+C)	>135
Rac(Ω)	<2
Arms	1A

Antenna is measured in resonant mode.