

REF

DC & AC Filter for Renewable Energy Application

Features

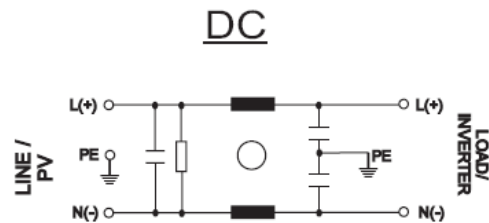
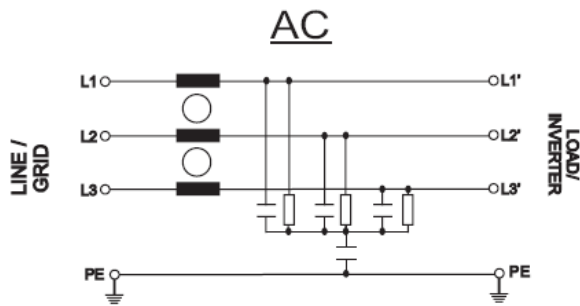
- Light Weight
- Compact Size
- Price less
- Optional without Capacitors assembly
- Easy to handle and install with application

Applications

- PV (Solar) Inverters
- Windmill Converters
- Suitable for other Industrial equipments which has high current requirement.



Electrical schematic



General Specifications

PARAMETERS	AC	DC
Rated Voltage	480VAC, Max 520VAC	850VDC, Max 1000VDC
Operating frequency	50/60 Hz	DC
Application Class; Acc.DIN40040	HMF (-40°C/+100°C/95% RH, 30d)	HMF (-40°C/+100°C/95% RH, 30d)
Flammability Class	UL 94 V-2 or Better	UL 94 V-2 or Better
Hi-Pot test Voltage	Li->Lj : 2250VDC, 2'' Li->M : 3000VDC, 2''	L->N : 3000VDC, 2'' L,N->M : 3100VDC, 2''

REF

DC & AC Filter for Renewable Energy Application

Product List

Type	Rated Current (A) @ 50 °c	Typical Power rating (KW)	Leakage Current (mA)	Power Losses (W)	Bus Bar Termination	Weight (Kg)
REFAC-180P	180	100KW	< 0.5mA @480V,50Hz	30	15 W x 5 T	6
REFDC-250P	250		< 0.8mA @250V,50Hz	10	20 W x 5 T	4
REFAC-600P	600	250KW	< 0.5mA @480V,50Hz	40	25 W x 10 T	8
REFDC-600P	600		< 1.6mA @250V,50Hz	25	25 W x 10 T	6
REFAC-1200P	1200	500KW	< 1mA @480V,50Hz	60	60 W x 10 T	15
REFDC-1500P	1500		< 3.5mA @250V,50Hz	40	60 W x 10 T	10

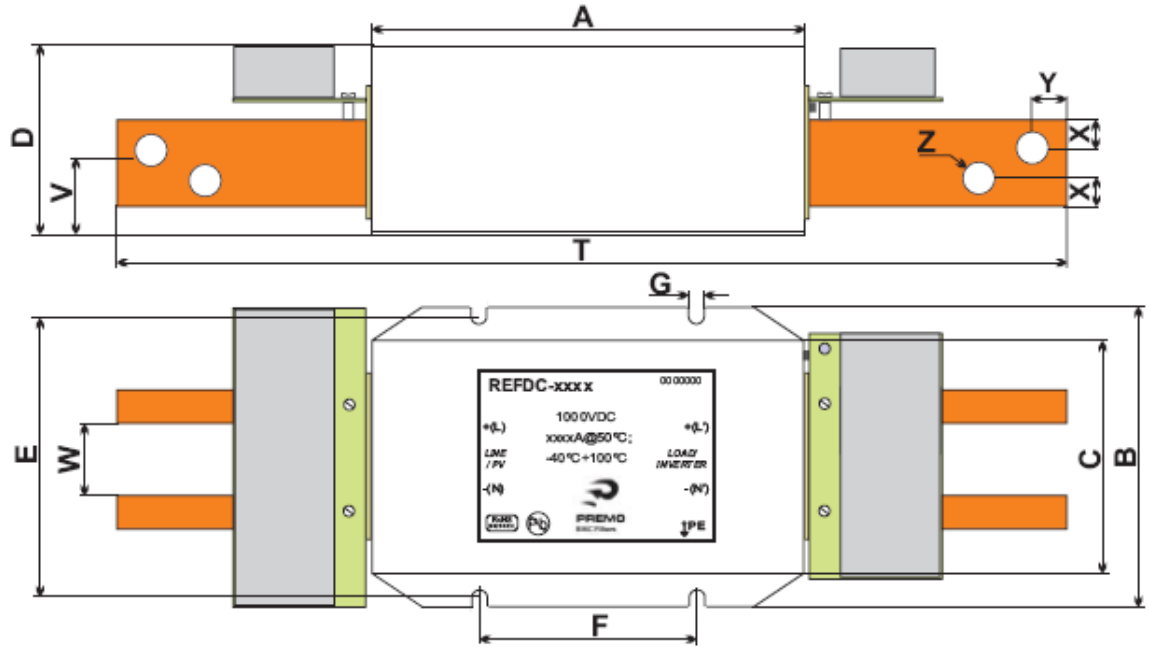
Mechanical Dimensions (mm)

Type	A	B	C	D	E	F	G	T	U	V	W	X	Y	Z
REFAC-180P	215	130	100	110	115	130	6,5	370	25	40	14	7,5	15	11
REFDC-250P	200	115	85	80	100	100	6,5	350		40	15	10	15	11
REFAC-600P	245	160	130	120	145	145	6,5	410	45	60	12	12,5	15	11
REFDC-600P	150	160	130	120	145	80	6,5	300		50	25	12,5	15	11
REFAC-1200P	245	190	160	160	175	145	8,5	440	80	74	25	17	17	14
REFDC-1500P	140	190	160	160	175	80	8,5	350		66	50	17	17	14

REF

DC & AC Filter for Renewable Energy Application

DC



AC

