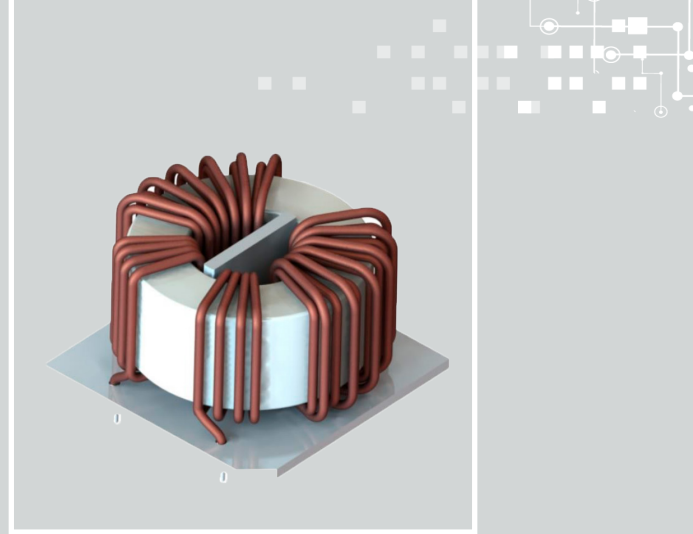


New

CMCN2R2-16H

Common Mode Choke 2x21mH / 16Arms

INDUCTIVE COMPONENTS / COMMON MODE CHOKES



APPLICATIONS

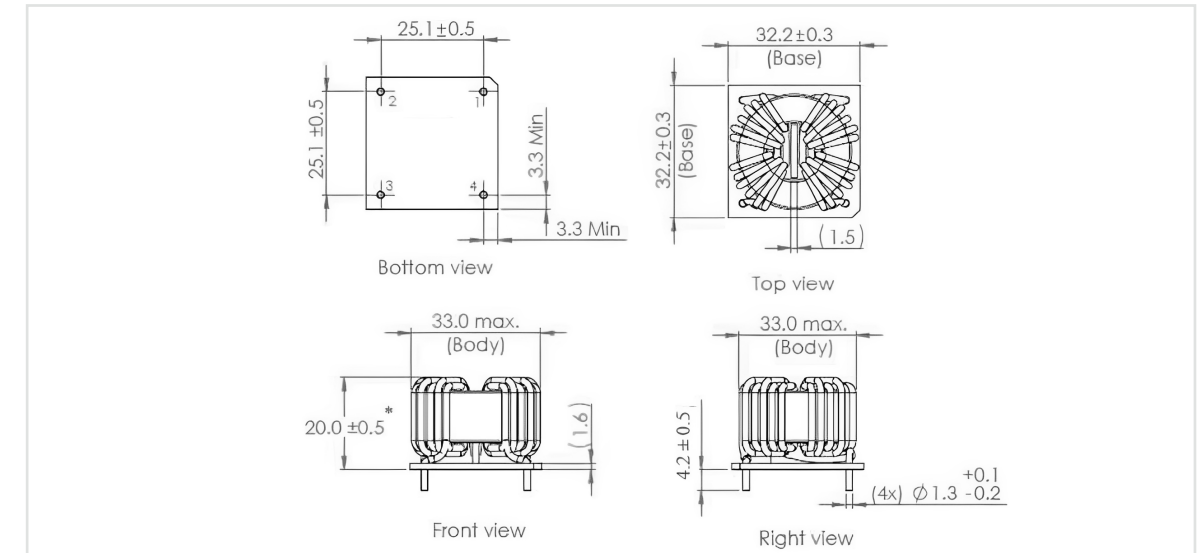
- > Automotive EV/PHV AC/DC onboard battery chargers
- > Automotive HV/LV DC/DC converters

01 FEATURES

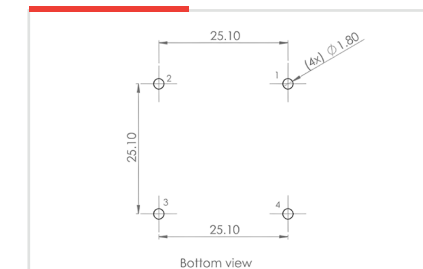
- > Wide operating temperature range -40 to +125°C
- > Compliant with RoHS 2011/65/EU directive
- > Design based on AEC-Q200
- > Weight : approx 40grams

02 SPECIFICATIONS

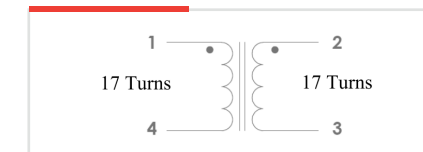
DIMENSIONS (mm)



RECOMMENDED PAD-LAYOUT



ELECTRICAL DIAGRAM



ELECTRICAL SPECIFICATIONS

INDUCTANCE at 25°C

L1-4 = L2-3 (10kHz/0.3Vac) | 21 mH TYP (13.7-28.3mH)

TURN-RATIO

N1-4 : N2-3 (10kHz/1Vac) | 1:1

DC RESISTANCE at 25°C

W1=W2 | 12mΩ TYP (15mΩ MAX)

LEAKAGE INDUCTANCE

Lik1-4 (100kHz/100 mV) | 12μH TYP (9-15μH)

DIELECTRIC STRENGTH

Between Windings | 1.5kVac (50Hz/3mA/1min)