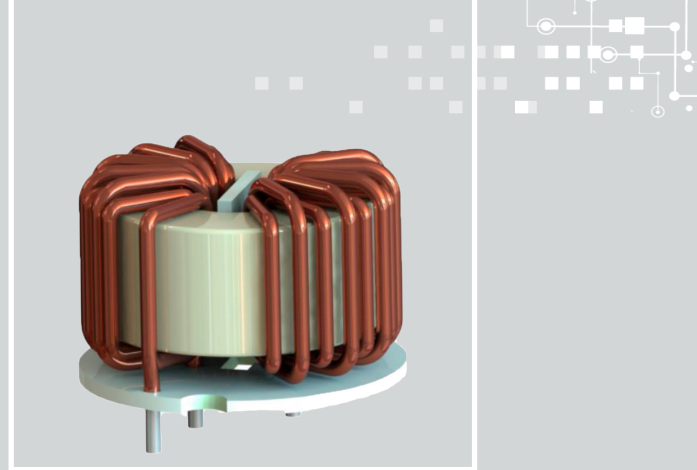


New

CMCN2R1-16H

Common Mode Choke 2x10mH 10kHz 16A

INDUCTIVE COMPONENTS / COMMON MODE CHOKES



APPLICATIONS

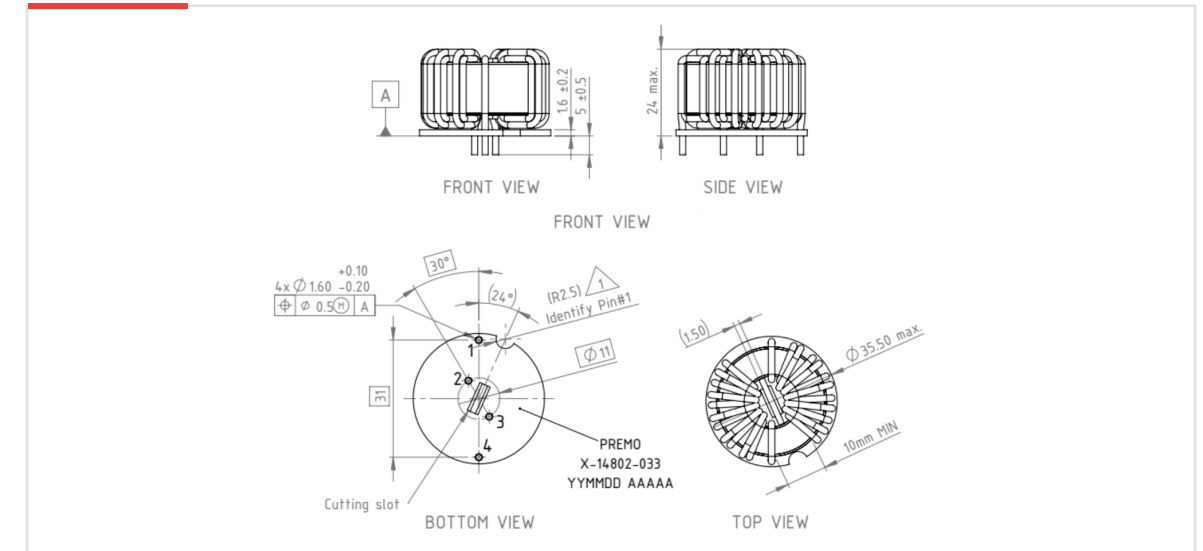
- > Automotive EV/PHV AC/DC onboard battery chargers
- > Automotive HV/LV DC/DC converters

01 FEATURES

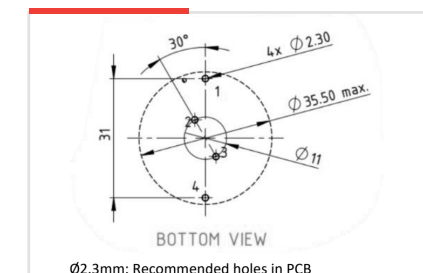
- > Topology H-CMC
- > Rated current 16 A
- > Operating temperature -40°C to +150°C
- > Storage temperature -25°C to +85 °C

02 SPECIFICATIONS

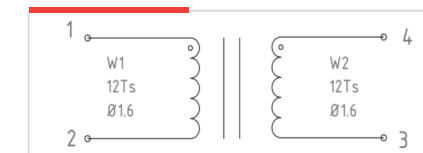
DIMENSIONS (mm)



RECOMMENDED PAD-LAYOUT



ELECTRICAL DIAGRAM



ELECTRICAL SPECIFICATIONS

INDUCTANCE at 25°C

L1 - 2 = L4 - 3 (10 kHz / 0.3Vac) | 10 mH TYP (6.2 - 14.6 mH)

TURN-RATIO

W1 - 2 / W4 - 3 | 12 : 12

DC RESISTANCE at 25°C

RDC1 - 2 = RDC4 - 3 | 5 mΩ TYP (6 mΩ MAX)

LEAKAGE INDUCTANCE

LLK 1 - 2 (100 kHz / 1Vac / other windings shorted) | 6.5 μH TYP (4.97-8.5μH)

DIELECTRIC STRENGTH

Between Windings | 2500 Vdc (3 mA; 2 sec)