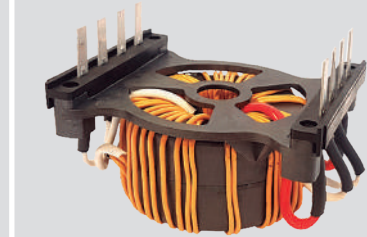


New

# 3DP-3kWHVHV-001

## Full Bridge LLC Transformer + Resonant Choke

INDUCTIVE COMPONENTS / 3D POWER



### ABSTRACT

Premo 3DPower is a revolutionary concept in power magnetics integration. Existing magnetics within conventional HEV On-Board Chargers and DCDC converters are merged into one single and compact product. Maximum power density is achieved by reducing the size and increasing the power dissipation with the latest high thermal conductive materials.

Designs can be fully customized to meet any customer requirement.

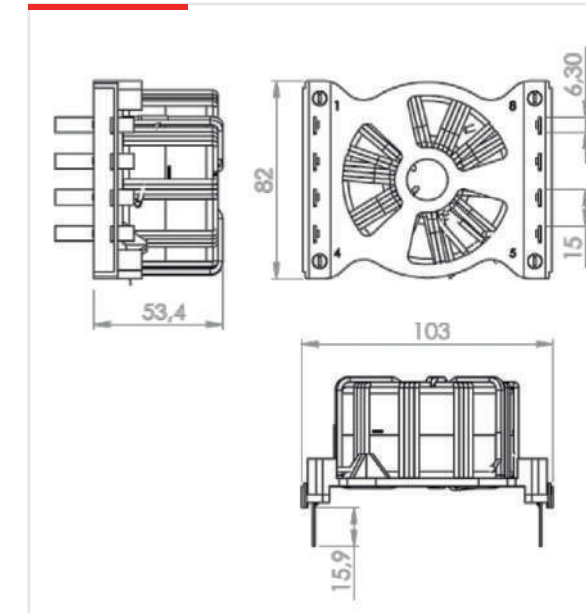
## 01 CHARACTERISTICS

### ELECTRICAL SPECIFICATIONS

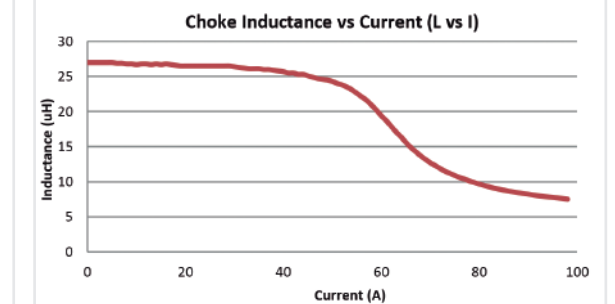
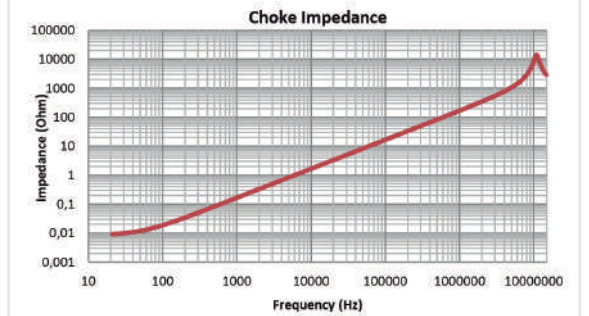
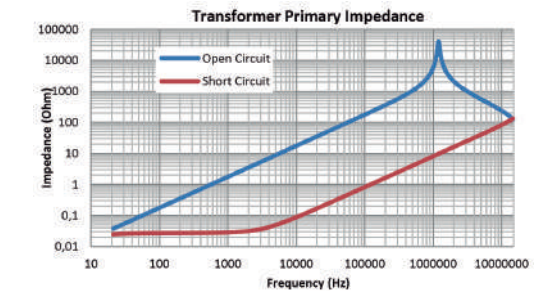
<b>TOPOLOGY</b>	Full Bridge LLC Resonant Converter Transformer + Resonant Choke
<b>INPUT</b>	
Primary Voltage	375Vdc to 425Vdc
<b>OUTPUT</b>	
Secondary	220Vdc to 470 Vdc/ 12 Arms
<b>CURRENT RES. INDUCTOR</b>	18 Arms (26Apk)
<b>SWITCHING FREQUENCY</b>	70 kHz to 150 kHz
<b>DUTY CYCLE</b>	50%
<b>TOTAL OUTPUT POWER</b>	3.5 kW
<b>COUPLING</b>	
N choke/N prim	0.0015
N choke/N any sec	0.0021

## 02 SPECIFICATIONS

### DIMENSIONS



### TYPICAL PERFORMANCE



### ELECTRICAL DIAGRAM

