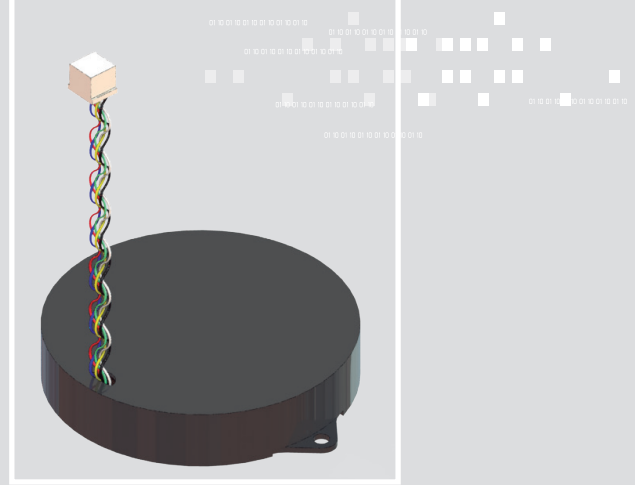


New

3DCD90

3D Electromagnetic Tracking Disc 105x20mm

Tx EM MOTION TRACKING ANTENNAS



APPLICATIONS

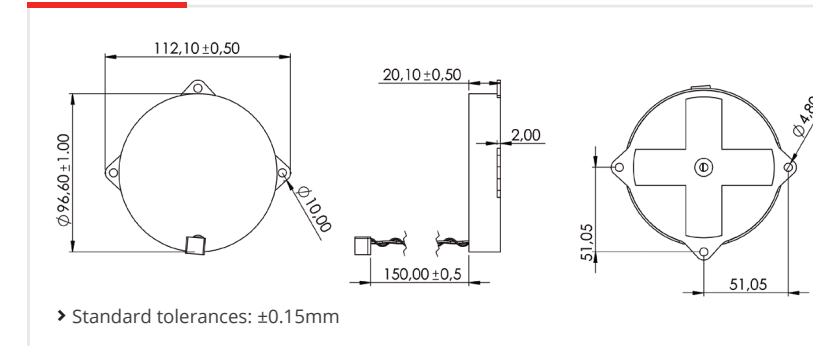
- › Virtual Reality / Augmented reality / Mixed Reality
- › Gaming Consoles
- › Set top boxes

01 CHARACTERISTICS

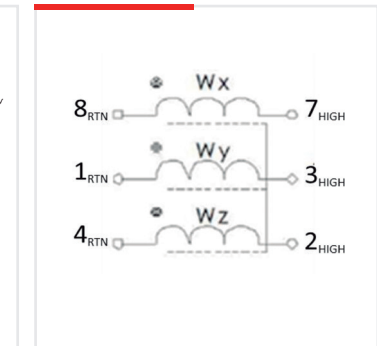
- › 3 orthogonal coils in one component, oriented in the 3 space axes with full functionality
- › 3D Emitter antenna for VR/AR Application
- › Low profile emitter antenna. (H20mm)
- › Highest H-field@ 6m, 1App (H>90dBμV/m)
- › Available with different inductance values
- › Very stable electrical properties in full operational operative range (-20°C +65°C)
- › Solution for extra long-range requirements
- › PNDP-o8V-Z connector 2.0mm Pitch 8POS DUAL

02 DIMENSIONS

DIMENSIONS (mm)



ELECTRICAL DIAGRAM



ELECTRICAL SPECIFICATIONS | 20kHz

Code	L (mH)	Q min	Z@20kHz (Ω) Min/Max	Rdc (Ω) Min/Max	H (nT) @ 0.25Arms, 1m, 20kHz Min	H (dBμV/m) @ 1App,6m, 20kHz, Min	Sensitivity @20kHz (mVpp/App/m) Min	Freq (kHz)	Dimensions (mm) Max
3DCD90-A-0100J	1.1 ± 5%	28	110/150	2.4/2.6	21	92	67	20	105 x 20
3DCD90-A-0039J	0.39 ± 5%	20	40/70	0.7/1.6	11	80	20	20	105 x 20