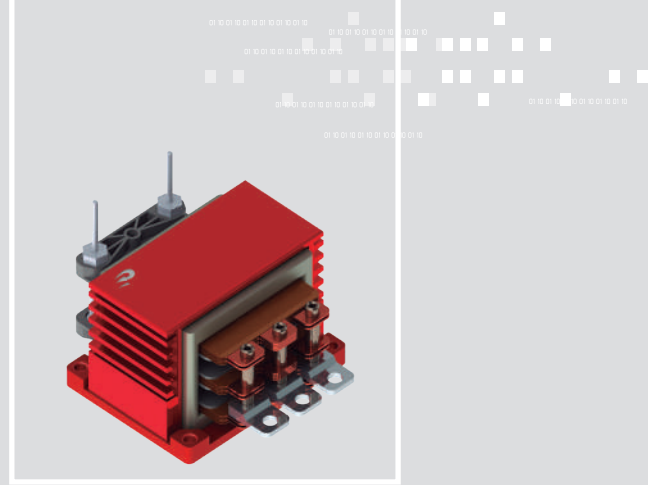


New

DCDC2400-001

Push-Pull Transformer 2kW 100kHz 1+1:12

INDUCTIVE COMPONENTS / DCDC TRANSFORMERS



APPLICATIONS

- › Automotive HV/LV DCDC onboard converters

01 FEATURES

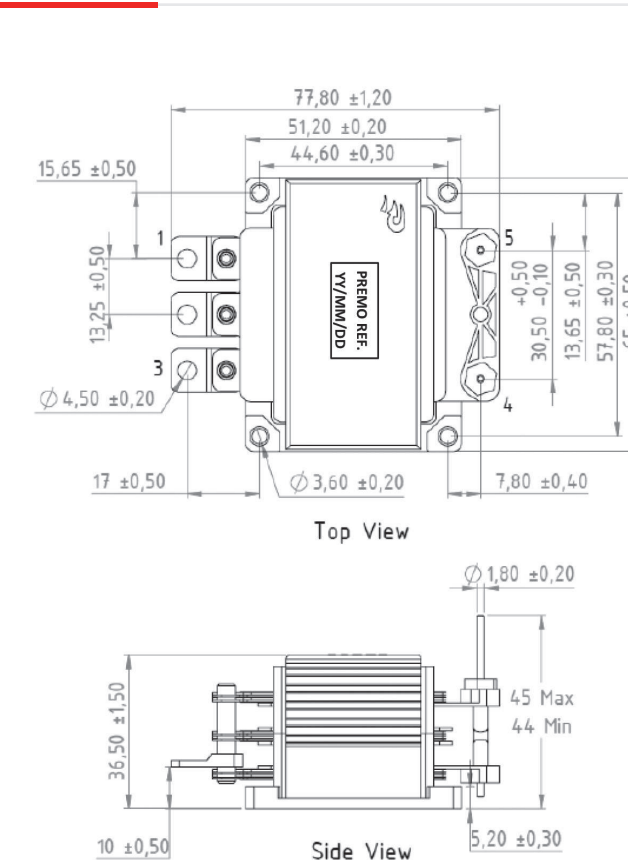
- › Push-Pull 2kW transformer
- › Switching frequency 100kHz
- › UL94 and RoHS materials (F/155°C)
- › Design based on AEC-Q200
- › Weight : approx 350grams

02 OPERATION

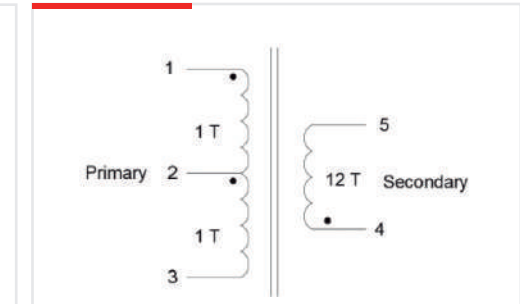
- › $V_{in} = 16-32V_{dc}$ / $V_{out} = 400V_{dc}$
- › Operating temperature $-40/+125^{\circ}C$ with cooling

03 SPECIFICATIONS

DIMENSIONS



ELECTRICAL DIAGRAM



ELECTRICAL SPECIFICATIONS

INDUCTANCE at 25°C

L1-3 = Lp (100kHz/1Vac)	18,5μH ±20%
----------------------------	-------------

DC RESISTANCE at 25°C

R1-3	0,30mΩ MAX
R4-5	25mΩ MAX

TURN-RATIO

Np:Ns	1+1:12
-------	--------

LEAKAGE INDUCTANCE

Llk4-5 (100kHz/1Vac, 1-3 shorted)	1,80μH MAX
--------------------------------------	------------

DIELECTRIC STRENGTH

{Np}/{CORE}	500Vac/50Hz/5mA/1min*
{Np}/{Ns+CORE}	3kVac/50Hz/5mA/1min*

(*) 1min in qualification / 2sec in mass production