

New

DCDC214-002

ZVS PSFB Transformer 2,5kW 100kHz 30:1+1

INDUCTIVE COMPONENTS / DCDC TRANSFORMERS



APPLICATIONS

- › Automotive HV/LV DCDC onboard converters



01 FEATURES

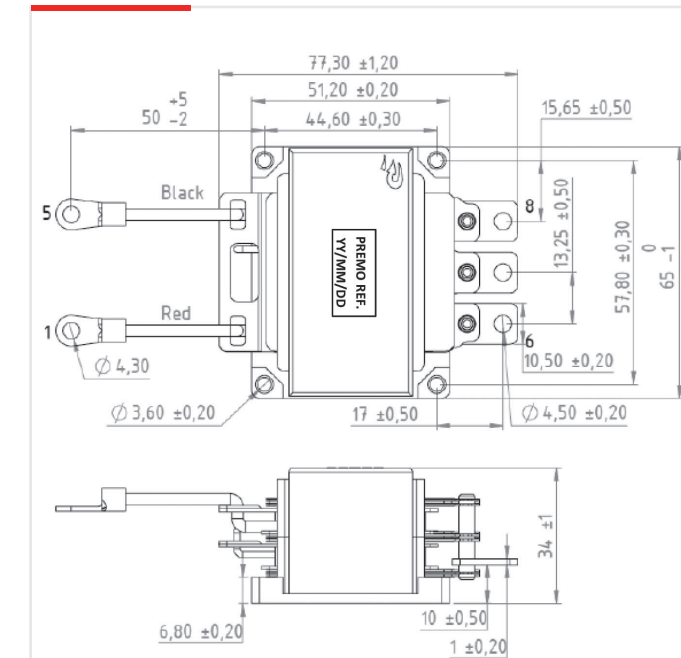
- › ZVS Phase-Shift Full-bridge 2,5kW transformer
- › Work with ZVS inductor 14μH / 14Apk
- › Recommended output inductor 1μH / 180Adc
- › Switching frequency 100kHz
- › UL94 and RoHS materials (F/155°C)
- › Design based on AEC-Q200
- › Weight : approx 350grams

02 OPERATION

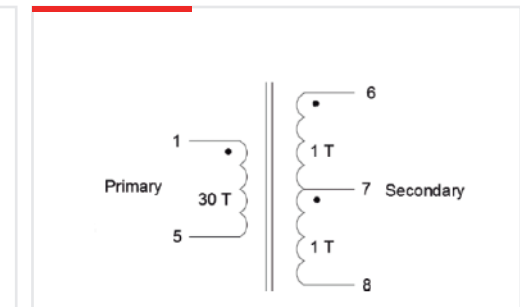
- › Vin = 376-820Vdc / Vout = 14Vdc
- › Operating temperature -40/+125°C with cooling

03 SPECIFICATIONS

DIMENSIONS



ELECTRICAL DIAGRAM



ELECTRICAL SPECIFICATIONS

INDUCTANCE at 25°C

L1-5 = Lp (100kHz/1Vac)	915μH ±25%
----------------------------	------------

DC RESISTANCE at 25°C

R1-5	95mΩ MAX
R6-8	0,25mΩ MAX

TURN-RATIO

Np:Ns	30:1+1
-------	--------

LEAKAGE INDUCTANCE

Llk1-5 (100kHz/1Vac, 6-7- 8 shorted)	10μH MAX
--	----------

DIELECTRIC STRENGTH

{Np}/{Ns+CORE}	3kVac/50Hz/5mA/1min*
{Ns}/{CORE}	500VAc/50Hz/5mA/1min*

(*) 1min in qualification / 2sec in mass production